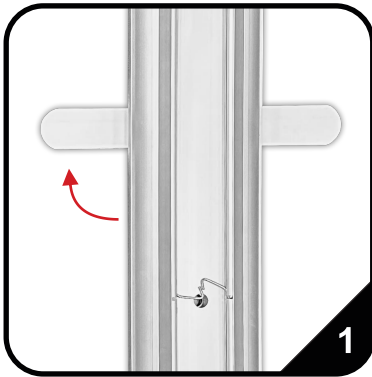


SET UP INSTRUCTIONS

Promo-Series

Double Sided Retractable Banner



Step 1

Twist the feet out.



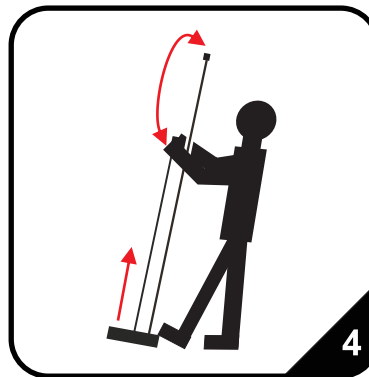
Step 2

Assemble folding pole



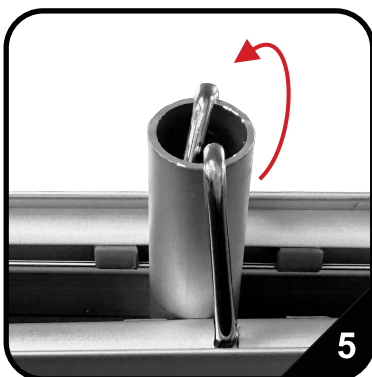
Step 3

Insert pole into hole on the base of the stand



Step 4

Place a foot on the base and carefully pull banner out of the base, leaning back if necessary.



Step 5

Hook the top of the banner onto the support pole. Repeat steps 4-5 for side 2.

